



PAR 36 PAR 56 PAR 64  
LED PAR

Musikhaus Thomann  
Thomann GmbH  
Hans-Thomann-Straße 1  
96138 Burgebrach  
Germany  
Telephone: +49 (0) 9546 9223-0  
E-mail: [info@thomann.de](mailto:info@thomann.de)  
Internet: [www.thomann.de](http://www.thomann.de)

17.02.2016, ID: 193245, ... (V2)

# Table of contents

<b>1</b>	<b>General notes</b> .....	<b>5</b>
	1.1 Further information.....	6
	1.2 Notational conventions.....	7
	1.3 Symbols and signal words.....	7
<b>2</b>	<b>Safety instructions</b> .....	<b>10</b>
<b>3</b>	<b>Features</b> .....	<b>15</b>
<b>4</b>	<b>Installation</b> .....	<b>16</b>
<b>5</b>	<b>Setup</b> .....	<b>20</b>
<b>6</b>	<b>Connections and controls</b> .....	<b>22</b>
<b>7</b>	<b>Operation</b> .....	<b>24</b>
	7.1 Starting up the device.....	24
	7.2 'Auto change' mode.....	24
	7.3 'Auto fade' mode.....	25
	7.4 Manual mode.....	26
	7.5 DMX mode.....	27

<b>8</b>	<b>Technical specifications.....</b>	<b>29</b>
<b>9</b>	<b>Plug and connection assignments.....</b>	<b>34</b>
<b>10</b>	<b>Troubleshooting.....</b>	<b>35</b>
<b>11</b>	<b>Cleaning.....</b>	<b>37</b>
<b>12</b>	<b>Protecting the environment.....</b>	<b>38</b>

# 1 General notes

This manual contains important instructions for the safe operation of the unit. Read and follow the safety instructions and all other instructions. Keep the manual for future reference. Make sure that it is available to all those using the device. If you sell the unit please make sure that the buyer also receives this manual.

Our products are subject to a process of continuous development. Thus, they are subject to change.

## 1.1 Further information

On our website ([www.thomann.de](http://www.thomann.de)) you will find lots of further information and details on the following points:

Download	This manual is also available as PDF file for you to download.
Keyword search	Use the search function in the electronic version to find the topics of interest for you quickly.
Online guides	Our online guides provide detailed information on technical basics and terms.
Personal consultation	For personal consultation please contact our technical hotline.
Service	If you have any problems with the device the customer service will gladly assist you.

## 1.2 Notational conventions

This manual uses the following notational conventions:

### Letterings

The letterings for connectors and controls are marked by square brackets and italics.

**Examples:** *[VOLUME]* control, *[Mono]* button.



### Displays

Texts and values displayed on the device are marked by quotation marks and italics.

**Examples:** *'24ch'*, *'OFF'*.

## 1.3 Symbols and signal words

In this section you will find an overview of the meaning of symbols and signal words that are used in this manual.

Signal word	Meaning
<b>DANGER!</b>	This combination of symbol and signal word indicates an immediate dangerous situation that will result in death or serious injury if it is not avoided.
<b>WARNING!</b>	This combination of symbol and signal word indicates a possible dangerous situation that can result in death or serious injury if it is not avoided.
<b>NOTICE!</b>	This combination of symbol and signal word indicates a possible dangerous situation that can result in material and environmental damage if it is not avoided.
Warning signs	Type of danger
	Warning – high-voltage.
	Warning – suspended load.



Warning signs	Type of danger
	Warning – danger zone.

## 2 Safety instructions

### **Intended use**

This device is intended to be used as an electronic illumination effect using LED technics. The device is designed for professional use and is not suitable for use in households. Use the device only as described in this user manual. Any other use or use under other operating conditions is considered to be improper and may result in personal injury or property damage. No liability will be assumed for damages resulting from improper use.

This device may be used only by persons with sufficient physical, sensorial, and intellectual abilities and having corresponding knowledge and experience. Other persons may use this device only if they are supervised or instructed by a person who is responsible for their safety.

**Safety****DANGER!****Danger for children**

Ensure that plastic bags, packaging, etc. are disposed of properly and are not within reach of babies and young children. Choking hazard!

Ensure that children do not detach any small parts (e.g. knobs or the like) from the unit. They could swallow the pieces and choke!

Never let children unattended use electrical devices.

**DANGER!****Electric shock caused by high voltages inside**

Within the device there are areas where high voltages may be present. Never remove any covers.

There are no user-serviceable parts inside.

Do not use the device if covers, protectors or optical components are missing or damaged.



**DANGER!**

**Electric shock caused by short-circuit**

Do not modify the mains cable or the plug. Failure to do so could result in electric shock/death or fire. If in doubt, seek advice from a registered electrician.



**WARNING!**

**Eye damage caused by high light intensity**

Never look directly into the light source.



**WARNING!**

**Risk of epileptic shock**

Strobe lighting can trigger seizures in photosensitive epilepsy. Sensitive persons should avoid looking at strobe lights.



**NOTICE!**

**Risk of fire**

Do not cover the device nor any ventilation slots. Do not place the device near any direct heat source. Keep the device away from naked flames.



**NOTICE!**

**Operating conditions**

This device has been designed for indoor use only. To prevent damage, never expose the device to any liquid or moisture. Avoid direct sunlight, heavy dirt, and strong vibrations.



### **NOTICE!**

#### **Power supply**

Before connecting the device, ensure that the input voltage (AC outlet) matches the voltage rating of the device and that the AC outlet is protected by a residual current circuit breaker. Failure to do so could result in damage to the device and possibly injure the user.

Unplug the device before electrical storms occur and when it is unused for long periods of time to reduce the risk of electric shock or fire.

### 3 Features

The LED PAR is particularly suitable for professional lighting applications, e.g. at events, on rock stages, in theatres and musicals or TV productions. It is characterized by a low power consumption and long life span.

Special features of this device:

- LEDs in three primary colours (RGB)
- Control via DMX or DIP switches on the unit
- Preprogrammed automatic shows
- Sound control
- Robust metal housing

## 4 Installation

Unpack and carefully check that there is no transportation damage before using the unit. Keep the equipment packaging. To fully protect the device against vibration, dust and moisture during transportation or storage use the original packaging or your own packaging material suitable for transport or storage, respectively.



### **WARNING!**

#### **Risk of injury caused by falling objects**

Make sure that the installation complies with the standards and rules that apply in your country. Always secure the device with a secondary safety attachment, such as a safety cable or a safety chain.





**NOTICE!**

**Risk of overheating**

Always ensure sufficient ventilation.

The ambient temperature must always be below 40 °C (104 °F).



**NOTICE!**

**Use of stands**

When mounting the device onto a stand, ensure that the stand is in a safe and stable position and that the weight of the device does not exceed the maximum permissible load capacity of the stand.



### **NOTICE!**

#### **Possible data transmission errors**

For error-free operation make use of dedicated DMX cables and do not use ordinary microphone cables.

Never connect the DMX input or output to audio devices such as mixers or amplifiers.

### **Mounting options**

You can install the device standing or hanging upside down. When in use, the device must be mounted at a solid surface or clamped to an approved truss. Use the openings of the bracket provided for mounting.

Work from a stable platform whenever you install or move the device or when you perform any kind of maintenance. Block access under the work area.

The safety cable must be attached to the bracket.



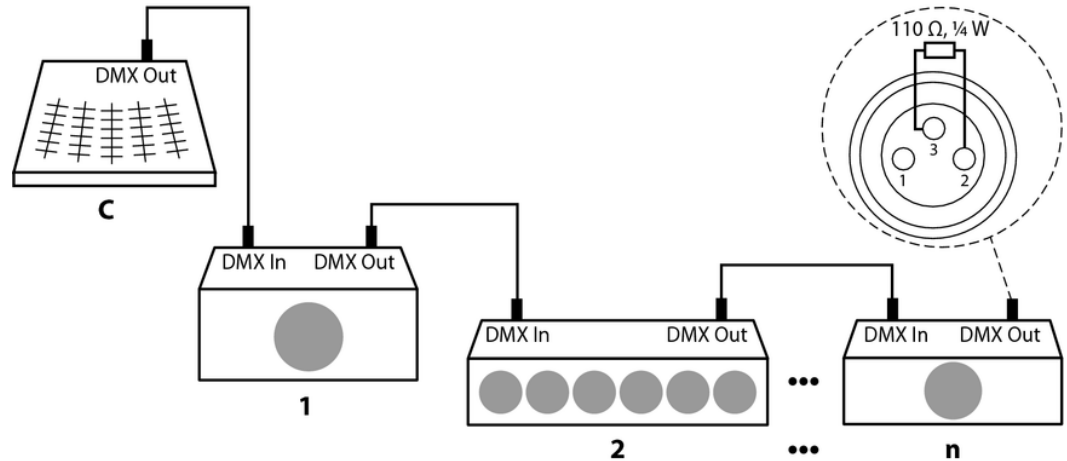
*Please note that this device must not be connected to a dimmer.*

## 5 Setup

Establish all connections as long as the unit is switched off. Use the shortest possible high-quality cables for all connections.

## Connections in DMX mode

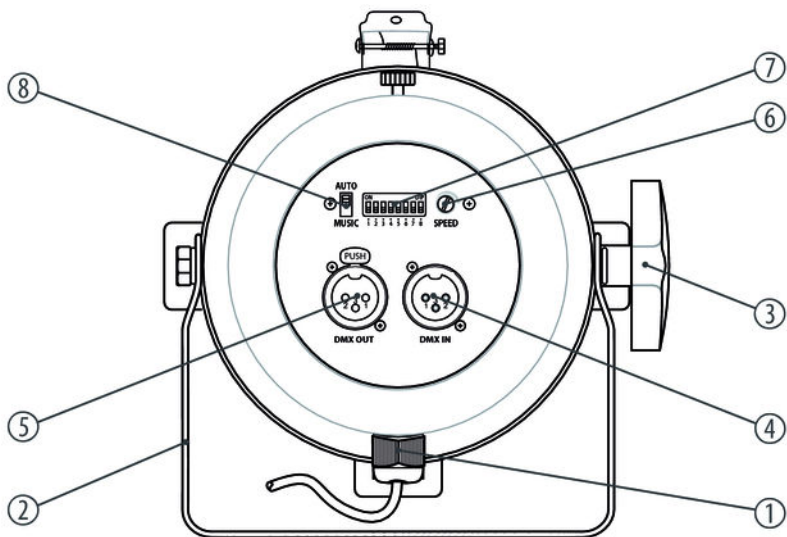
Connect the DMX input of the device to the DMX output of a DMX controller or another DMX device. Connect the output of the first DMX device to the input of the second one, and so on to form a daisy chain. Always ensure that the output of the last DMX device in the daisy chain is terminated with a resistor ( $110\ \Omega$ ,  $\frac{1}{4}\ \text{W}$ ).



PAR 36 PAR 56 PAR 64

## 6 Connections and controls

### Rear panel



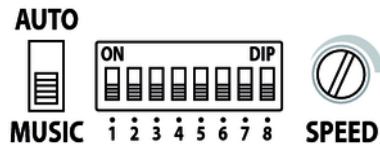
1	Power cord.
2	Bracket for floor placement or hanging.
3	Locking screws for the mounting bracket.
4	<i>[DMX IN]</i> DMX input.
5	<i>[DMX OUT]</i> DMX output.
6	<i>[SPEED]</i> For manual speed setting.
7	DIP switches for setting different functions depending on the mode.
8	<i>[AUTO/MUSIC]</i> Switch for selecting the operating mode (sound control or manual control).

## 7 Operation

### 7.1 Starting up the device

Connect the unit to the power grid to start the operation. After a few seconds the unit is ready for use.

### 7.2 'Auto change' mode



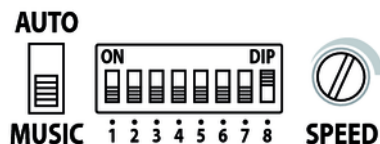
Set all DIP switches to 'OFF'.

For sound-control, set the switch to 'MUSIC'.

For controller operation, set the switch to 'AUTO'.



### 7.3 'Auto fade' mode



Set DIP switch no. 8 to 'ON'.

Set the fade time by adjusting the DIP switches according to the table below to 'ON':

DIP 1	DIP 2	DIP 3	DIP 4	DIP 5	DIP 6
2,5 s	5 s	10 s	20 s	40 s	80 s

When all DIP switches 1 to 6 are set to 'OFF' the fade time is 10:30 min per pattern.

The time spans controlled by the DIP switches 1 to 6 can also be added up. If you e.g. set DIP switches 1 and 2 to 'ON' the individual fade times add up like this:  $2,5\text{ s} + 5\text{ s} = 7,5\text{ s}$ .

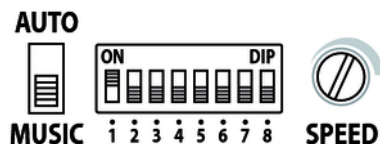
## 7.4 Manual mode



Set DIP switches 7 and 8 to 'ON'.

RED	DIP 1, 2	OFF/OFF	ON/OFF	OFF/ON	ON/ON
GREEN	DIP 3, 4				
BLUE	DIP 5, 6				
BRIGHTNESS		0	25 %	50 %	100 %

## 7.5 DMX mode



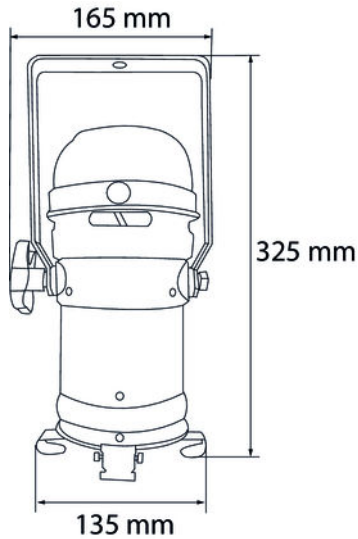
Set DIP switch 8 to 'OFF' and at least one of the other DIP switches to 'ON'. The channel assignment is shown in the overview:

CH-1	CH-2	CH-3	CH-4	CH-5
MODE	RED	GREEN	BLUE	Speed
0 - 63 = RGB Control	0 - 255 = DIM	0 - 255 = DIM	0 - 255 = DIM	./.
64 - 127 = 7 Colour fades	./.	./.	./.	11 - 100 = high to low
128 - 191 = 7 Colour changes				151 - 255 = Speed control by the device, via music or controller
192 - 255 = 3 Colour changes				

You can set the DMX channel in a range of 1 to 123 via the DIP switches 1 to 7. DIP switch 1 is the first channel. Configure the desired channel using the DIP switches, whose channel numbers add up then:

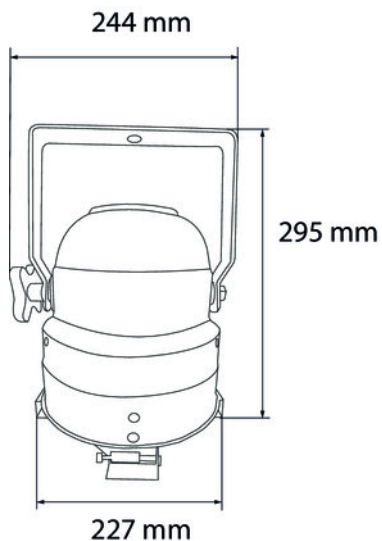
DIP	1	2	3	4	5	6	7
Channel number	1	2	4	8	16	32	64

## 8 Technical specifications



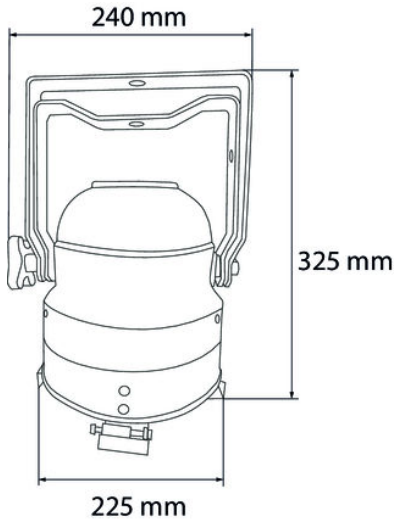
### Item no. 193245/193246 Stairville LED PAR 36 Alu black/Alu polished

LEDs	61 × high power (21 × red, 19 × green, 21 × blue)
Number of DMX channels	5
Operating supply voltage	230 V ~ 50 Hz
Power consumption	7 W
Dimensions	165 mm × 325 mm × 135 mm
Weight	1.2 kg



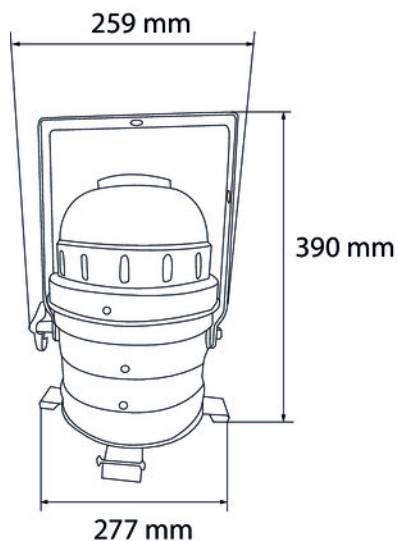
## Item no. 193247/193248 Stairville LED PAR 56 Alu black/Alu polished

LEDs	151 × high power (51 × red, 49 × green, 51 × blue)
Number of DMX channels	5
Operating supply voltage	230 V ~ 50 Hz
Power consumption	16 W
Dimensions	244 mm × 295 mm × 227 mm
Weight	1.4 kg



**Item no. 215928/215930 Stairville LED PAR 56 Floor black/polished**

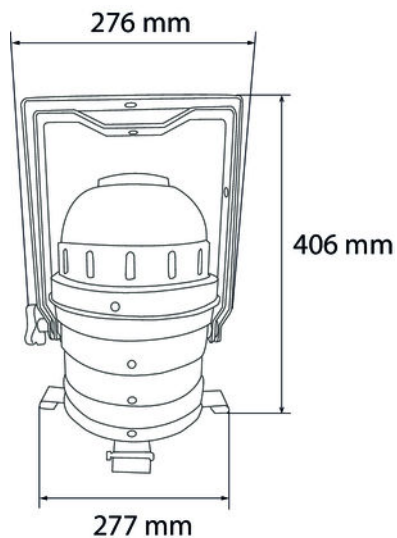
LEDs	151 × high power (51 × red, 49 × green, 51 × blue)
Number of DMX channels	5
Operating supply voltage	230 V ~ 50 Hz
Power consumption	16 W
Dimensions	236 mm × 321 mm × 223 mm
Weight	1.4 kg



### Item no. 193249/193250 Stairville LED PAR 64 Alu black/Alu polished

LEDs	151 × high power (51 × red, 49 × green, 51 × blue)
Number of DMX channels	5
Operating supply voltage	230 V ~ 50 Hz
Power consumption	16 W
Dimensions	259 mm × 390 mm × 277 mm
Weight	2.12 kg





**Item no. 215957/215958 Stairville LED PAR 64 Floor black/polished**

LEDs	151 × high power (51 × red, 49 × green, 51 × blue)
Number of DMX channels	5
Operating supply voltage	230 V ~ 50 Hz
Power consumption	16 W
Dimensions	276 mm × 406 mm × 277 mm
Weight	2.12 kg

## 9 Plug and connection assignments

### Introduction

This chapter will help you select the right cables and plugs to connect your valuable equipment so that a perfect light experience is guaranteed.

Please take our tips, because especially in 'Sound & Light' caution is indicated: Even if a plug fits into a socket, the result of an incorrect connection may be a destroyed DMX controller, a short circuit or 'just' a not working light show!

### DMX connections

The unit offers a 3-pin XLR socket for DMX output and a 3-pin XLR plug for DMX input. Please refer to the drawing and table below for the pin assignment of a suitable XLR plug.



Pin	Configuration
1	Ground, shielding
2	Signal inverted (DMX-, 'cold signal')
3	Signal (DMX+, 'hot signal')

## 10 Troubleshooting



### **NOTICE!**

#### **Possible data transmission errors**

For error-free operation make use of dedicated DMX cables and do not use ordinary microphone cables.

Never connect the DMX input or output to audio devices such as mixers or amplifiers.

In the following we list a few common problems that may occur during operation. We give you some suggestions for easy troubleshooting:

Symptom	Remedy
The unit does not work, no light.	Check the mains connection and the fuse.
No response to the DMX controller.	1. Check the DMX ports and cables for proper connection.
	2. Check the address settings and the DMX polarity.
	3. Try using another DMX controller.
	4. Check to see if the DMX cables run near or alongside to high voltage cables that may cause damage or interference to DMX interface circuits.

If the procedures recommended above do not succeed, please contact our Service Center. You can find the contact information at [www.thomann.de](http://www.thomann.de).

# 11 Cleaning

## Optical lenses

Clean the optical lenses, that are accessible from the outside, regularly in order to optimize the light output. The frequency of cleaning depends on the operating environment: wet, smoky or particularly dirty surroundings can cause more accumulation of dirt on the optics of the device.

- Clean with a soft cloth using our lamp and lens cleaner (item no. 280122).
- Always dry the parts carefully.

## 12 Protecting the environment

### Disposal of the packaging material



For the transport and protective packaging, environmentally friendly materials have been chosen that can be supplied to normal recycling.

Ensure that plastic bags, packaging, etc. are properly disposed of.

Do not just dispose of these materials with your normal household waste, but make sure that they are collected for recycling. Please follow the notes and markings on the packaging.

### Disposal of your old device



This product is subject to the European Waste Electrical and Electronic Equipment Directive (WEEE). Do not dispose with your normal household waste.

Dispose of this device through an approved waste disposal firm or through your local waste facility. When discarding the device, comply with the rules and regulations that apply in your country. If in doubt, consult your local waste disposal facility.



